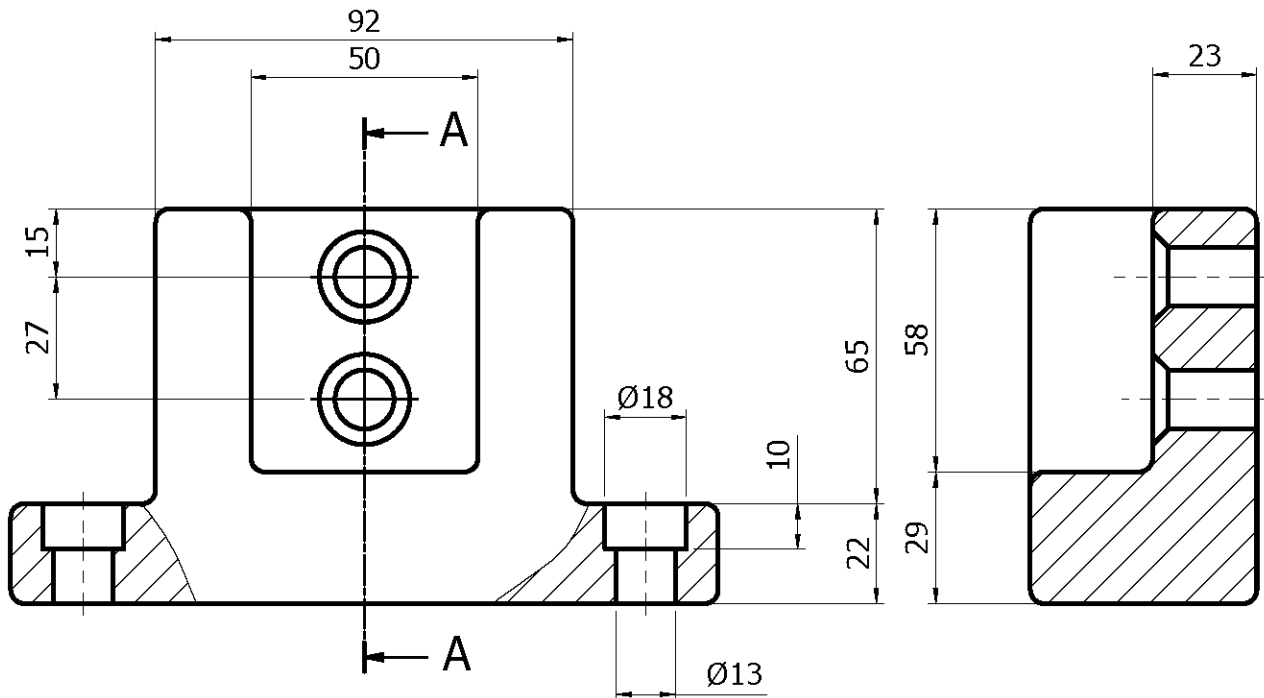
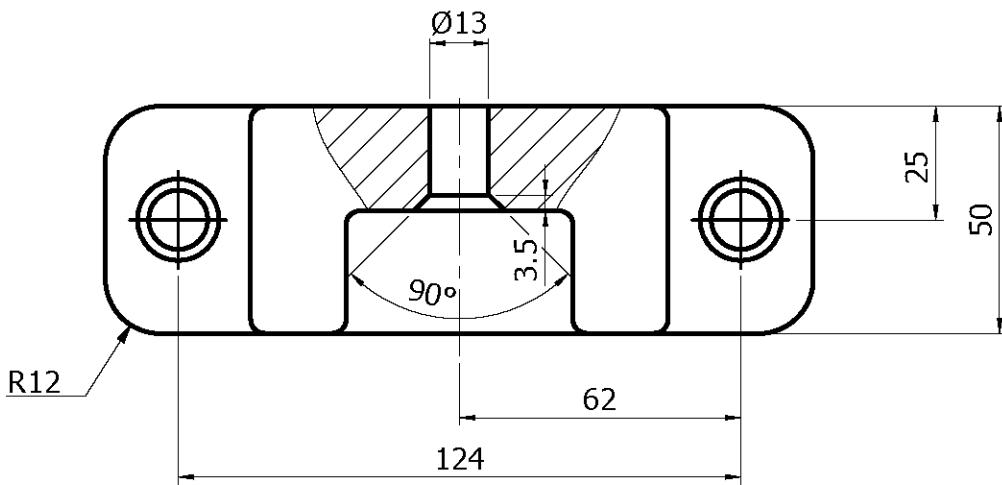
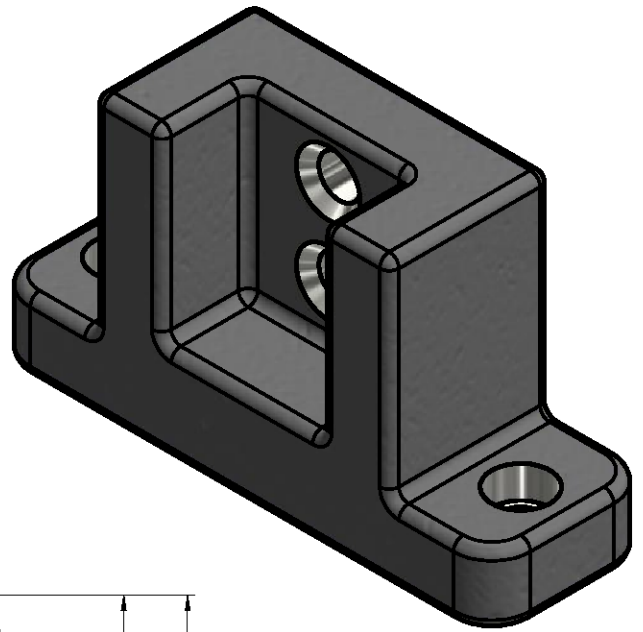


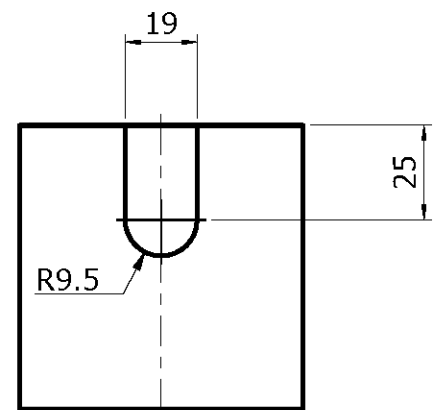
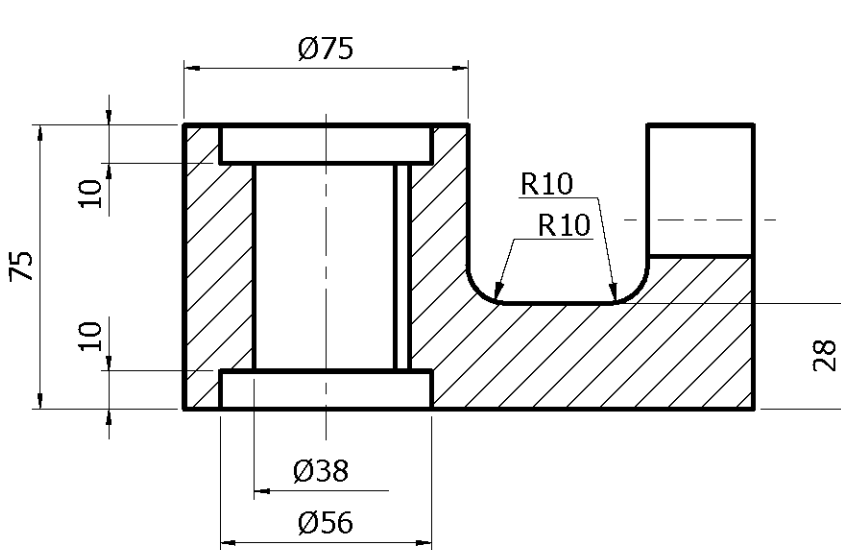
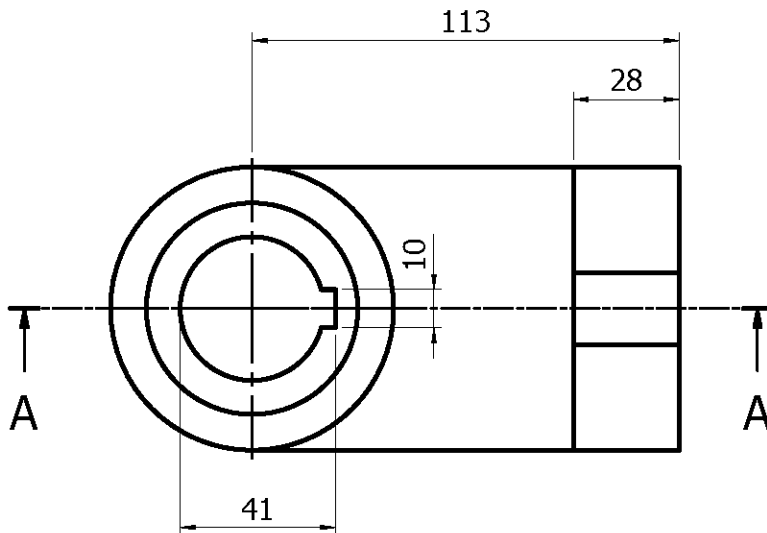
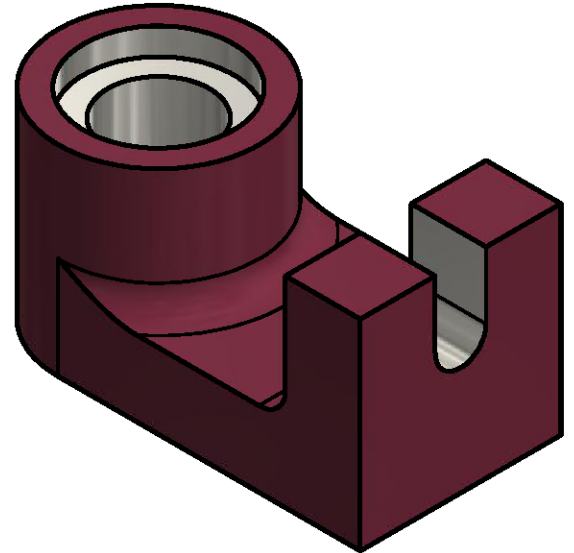
주 서

1. R3

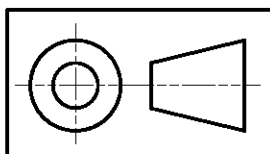


SECTION A-A

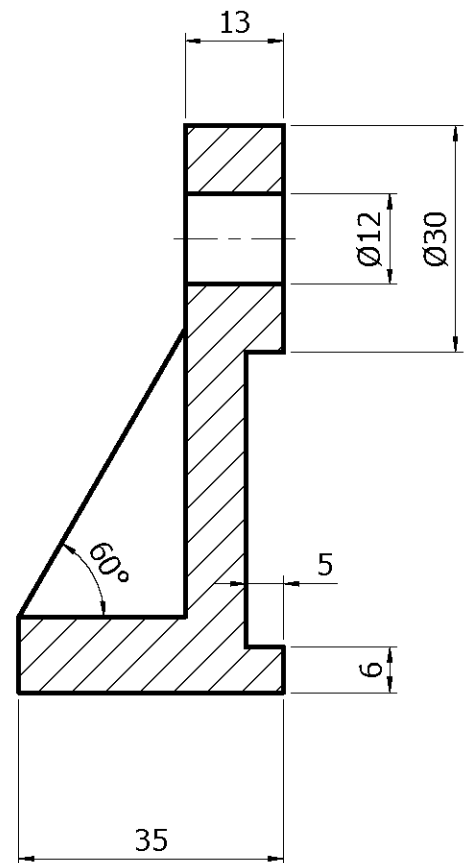
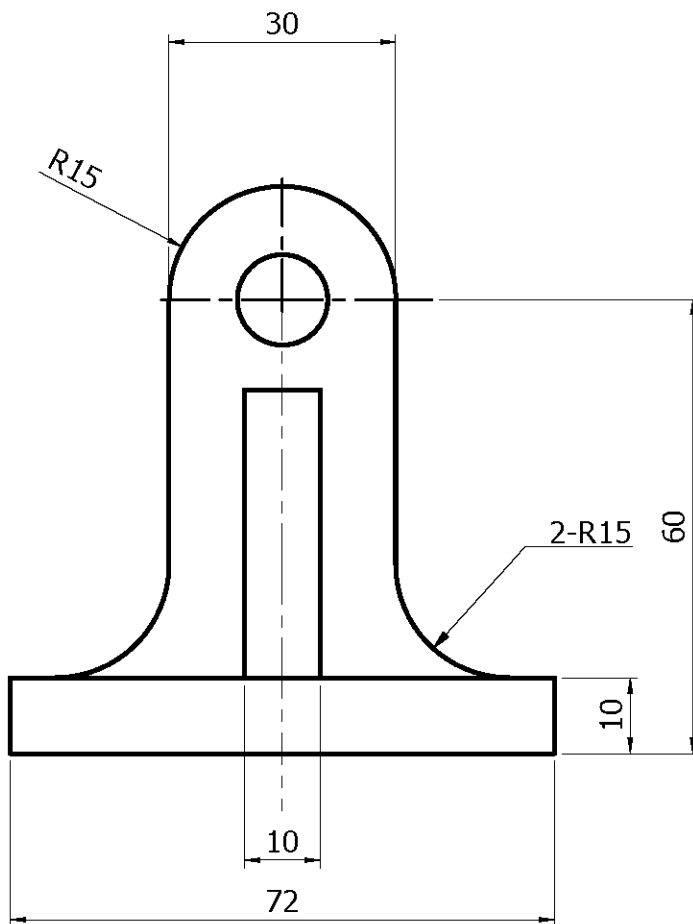
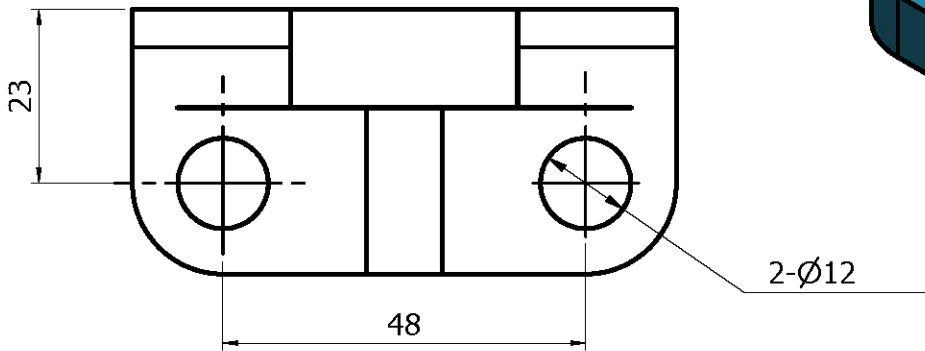
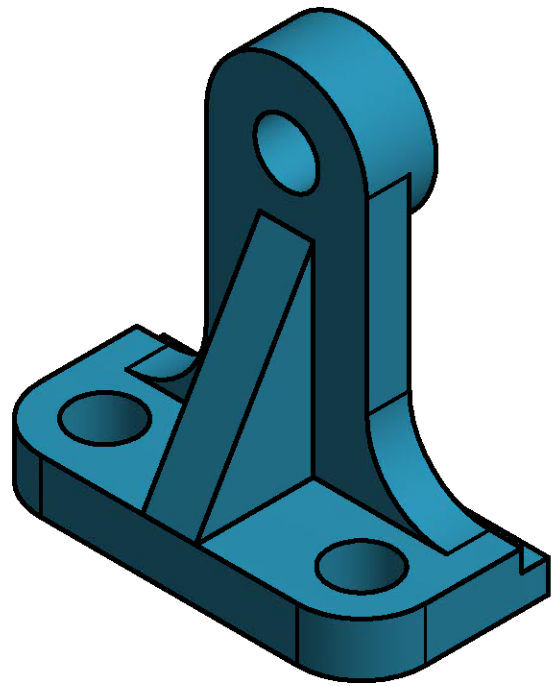
	Title		Date	Approve
	Modeling Practice Drawings 149		Design	
			Check	



SECTION A-A



Title		Date	Approve
Modeling Practice Drawings 151		Design	
		Check	



	Title		Date	Approve
	Modeling Practice Drawings 93		Design	
			Check	