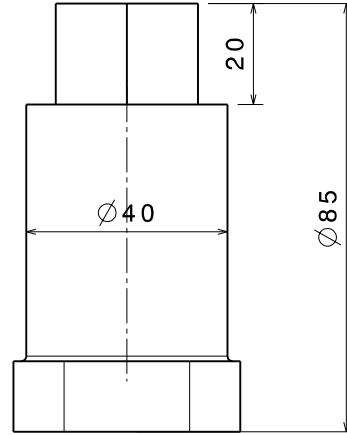
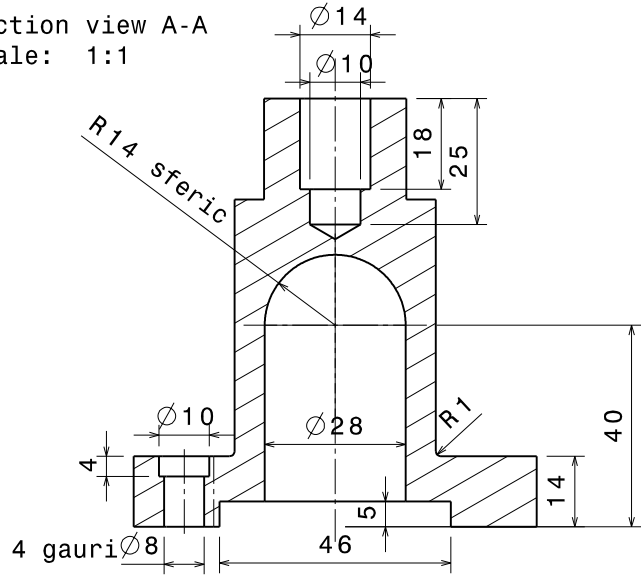
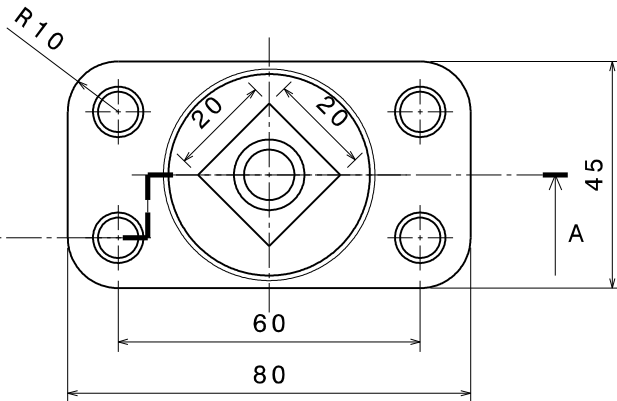
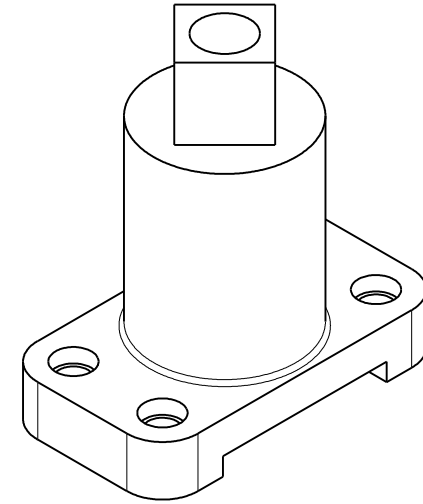


Section view A-A
Scale: 1:1



Auxiliary view B
Scale: 1:1

Isometric view
Scale: 1:1



Front view
Scale: 1:1

All practice drawings and video tutorials are available at WWW.CADDESIGNS.IN



CAD DESIGNS

DRAWN BY		DATE	DRAWING TITLE			
CHECKED BY		DATE	SIZE	DRAWING NUMBER		REV
DESIGNED BY		DATE	A3			
SCALE			1:1	WEIGHT(kg)	0.00	SHEET 1/1